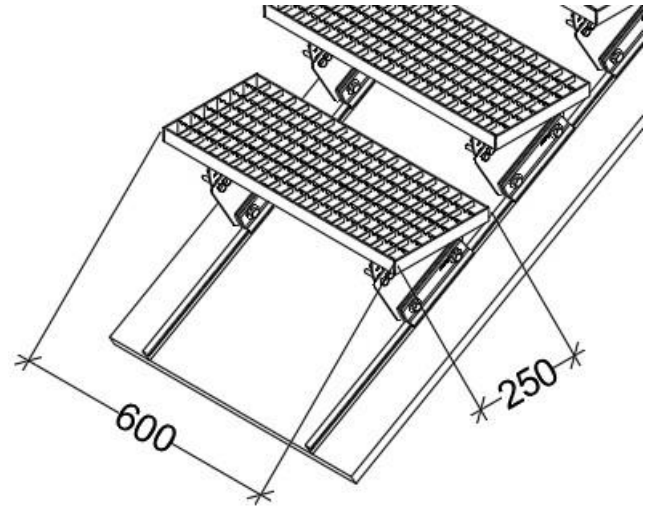
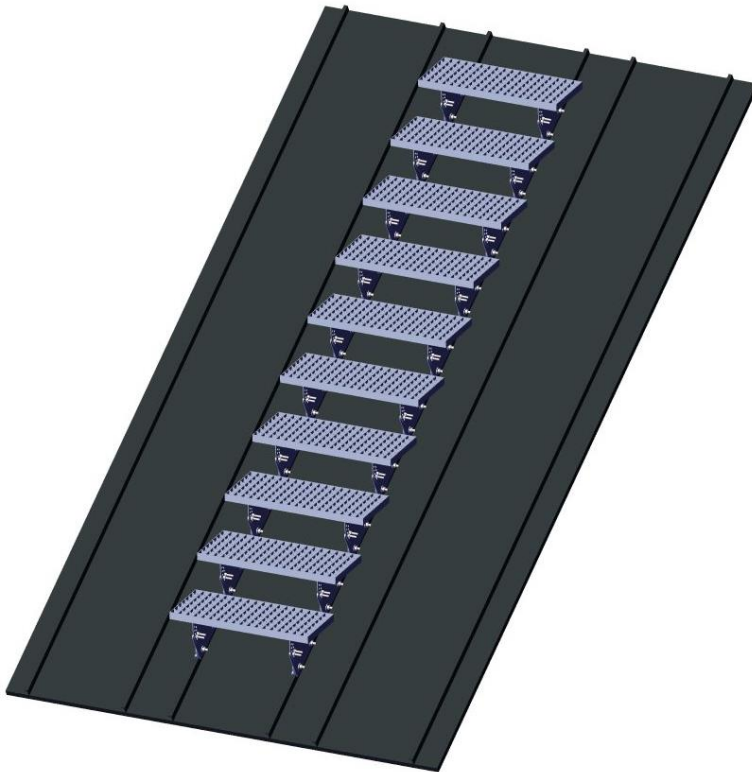


Treads

TECHNICAL DATA



Key Features

A tread is formed by clipping a steel step onto the Clamp Holder mounted to a standing-seam roof.

Treads are created by assembling multiple treads.

Tread material: steel S235 (TS EN 10025-2).

The tread width is 250 mm, and the tread length is 600 mm.

Coating: The threads are electrogalvanized; defined per EN 1461. If painting is to be applied, the coating system shall be specified in accordance with EN 13438.

Treads

Specifications

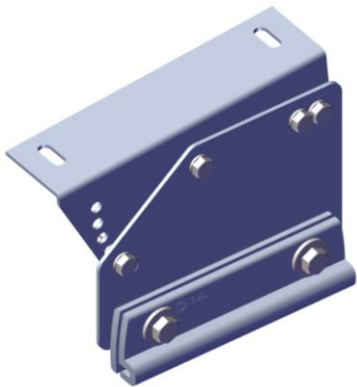
Parameter	Value	Note
System Type	Treads	—
Subcomponents	Clamp Holder; steel tread(s)	—
Tread Material	Steel S235	Standard: TS EN 10025-2
Tread Dimensions (WxL)	250 x 600 mm	—
Assembly	Clamp Holder fixed to standing-seam roof; step clipped to form a tread	—
System Formation	Multiple treads assembled on the roof	—
Coating	Threads are electrogalvanized and painted if required.	EN 1461 and EN 13438 (if applicable)

Compliance

—

Treads

Clamp Holder



Key Features

Assembled unit comprising the Angle adjustment element, Bracket, and Mounting Part.

Materials: EN AW-6061 (TS EN 10204-3.1, DIN EN 573-3), EN AW-5754 (ÖNORM EN 485-2 or ÖNORM EN 1396).

Fasteners: M8×25, M8×40 and M10×35 stainless steel bolts; grade 7.0 A2.

Coating: Optional; if required, defined per EN 12206-1.

Specifications

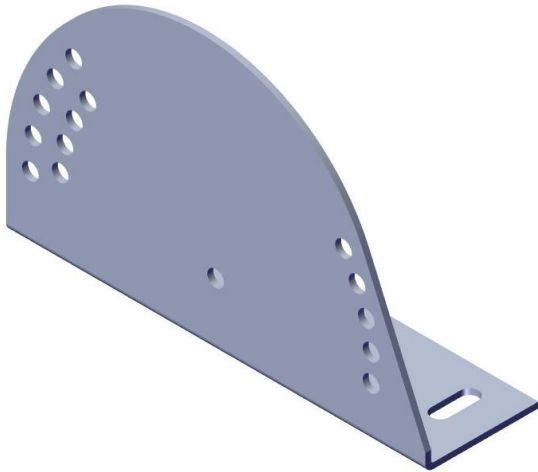
Parameter	Value	Note
Product Type	Assembled unit	Subcomponents: Angle adjustment element; Bracket; Mounting Part
Bracket	EN AW-6061	TS EN 10204-3.1; DIN EN 573-3
Angle Adjustment Element and Mounting Part	EN AW-5754	ÖNORM EN 485-2 or ÖNORM EN 1396
Fasteners	M8×25; M8×40; M10×35	Grade 7.0 A2, stainless steel
Coating	Optional	EN 12206-1 (if applicable)

Compliance

—

Treads

Angle Adjustment Plate



Key Features

Used for angle adjustment within Treads.

Aluminium grade: EN AW 5754. Standards: ÖNORM EN 485-2 or ÖNORM EN 1396

Angle adjustment range: 0–40° in 5° increments.

Two oblong slots and a perforated angle scale.

Coating: Optional; if required, defined per EN 12206-1.

Specifications

Parameter	Value	Note
System	Treads	—
Angle Range	0–40° in 5° increments.	—
Slot Pattern	Two oblong slots	—
Scale	Perforated angle scale	—
Material	EN AW 5754	Standards: ÖNORM EN 485-2 or ÖNORM EN 1396
Coating	Optional	EN 12206-1 (if applicable)

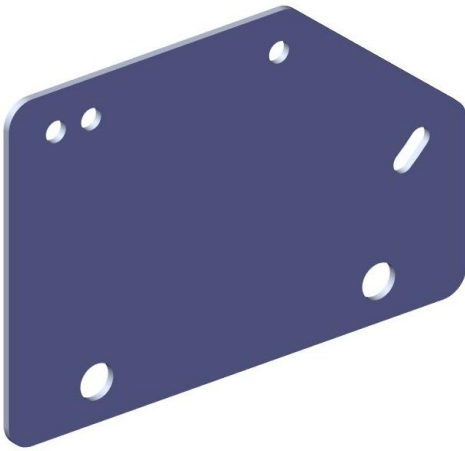


Treads

Compliance

Treads

Mounting Part



Key Features

Intermediate connection element used for mounting within Treads.

Material: EN AW-5754; Standards: ÖNORM EN 485-2 or ÖNORM EN 1396

Coating: Optional; if required, defined per EN 12206-1.

Specifications

Parameter	Value	Note
System	Treads	—
Material	EN AW-5754	ÖNORM EN 485-2 or ÖNORM EN 1396
Coating	Optional	EN 12206-1 (if applicable)



Treads

Compliance

Treads

Bracket



Key Features

Non-penetrating to standing seam: load transfer by tightening opposed clamp halves with bolts.

Fastener: M10×35 stainless steel bolts; grade 7.0 A2.

Material: EN AW-6061; Standards: TS EN 10204-3.1, DIN EN 573-3.

Coating: Optional; if required, defined per EN 12206-1.

Specifications

Parameter	Value	Note
Use	Clamping connection without piercing standing seam	With opposed clamp halves
Material	EN AW-6061	Standards: TS EN 10204-3.1; DIN EN 573-3
Fasteners	M10×35, 7.0 A2	Stainless steel bolts
Coating	Optional	EN 12206-1 (if applicable)

Compliance

—